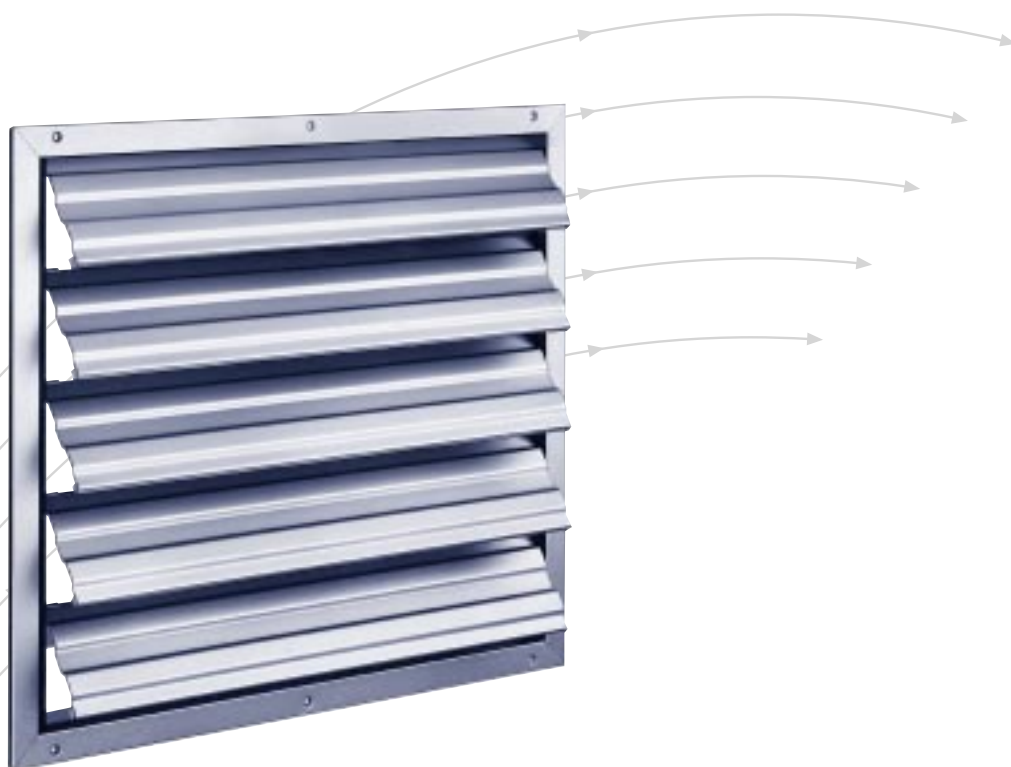


Pressure Relief Dampers

Type UL · KUL



TROX[®] TECHNİK

TROX GmbH
Heinrich-Trox-Platz
D-47504 Neukirchen-Vluyn

Telephone +49/28 45/2 02-0
Telefax +49/28 45/2 02-2 65
e-mail trox@trox.de
www.troxtechnik.com

Construction · Standard Sizes

Pressure relief dampers are designed for use in intake and discharge openings in air conditioning systems. When the system is in operation, the blades of the damper are held in the open position by the air flow. If the system is switched off, the blades close automatically, thus giving protection against the ingress of rain or leaves and birds into the air conditioning system.

Type UL

- Frame from formed galvanised sheet steel
- Blades from formed aluminium sheet
- Blade stub shafts in brass
- Bearing section in plastic - PVC
- Sealing strips on blades in polyester foam
- Front flange drilled

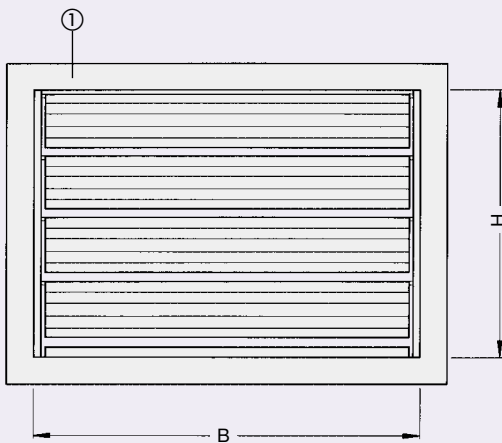
Type KUL

- Formed channel frame, galvanised sheet steel
- Blades from formed aluminium sheet
- Blade stub shafts in brass
- Bearing section in plastic - PVC
- Sealing strips on blades in polyester foam

Type KUL 1

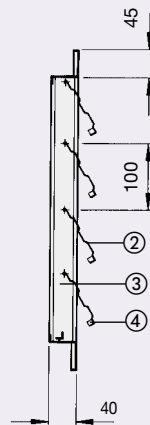
As type KUL but both flanges drilled

Type UL · KUL



- ① Frame
- ② Blade
- ③ Bearing section
- ④ Sealing strip

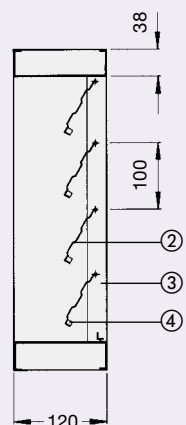
UL-1



UL-2



KUL
KUL 1



Standard sizes

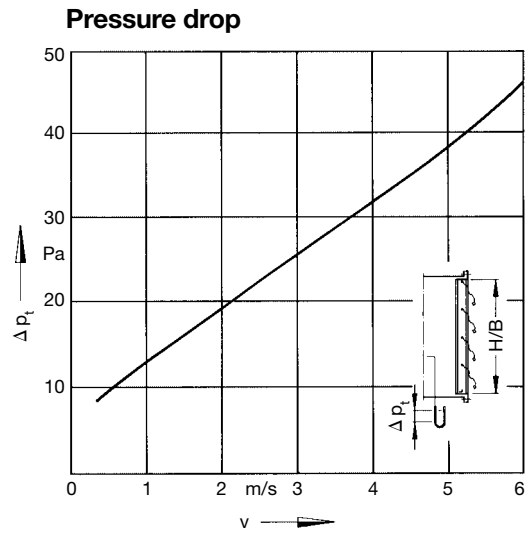
B in mm	H in mm	Number of holes			
		Width B		Height H	
		Type UL	Type KUL 1	Type UL	Type KUL 1
300	215	1	2	1	2
400	315	2	3	1	2
500	415	2	4	1	3
600	515	3	4	1	4
800	615	3	6	2	4
1000	715	3	7	2	5
1200	815	3	8	3	6
1400	1015	3	10	3	7
1600	1215	4	11	3	8
	1415			3	10
	1615			4	11

Any combinations of B x H listed above can be supplied
Above B ≥ 1000 mm with visible centre support at B/2

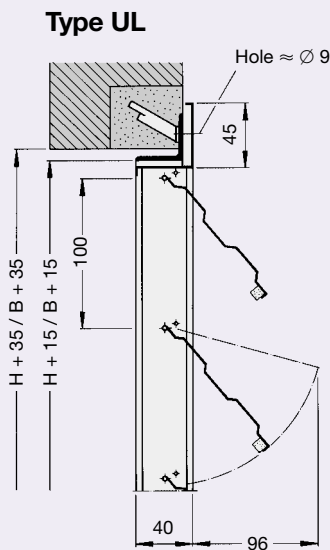
Installation Details · Technical Data

Nomenclature

- v in m/s: Air velocity based on $B \times H$
- Δp_t in Pa: Total pressure drop (free discharge)

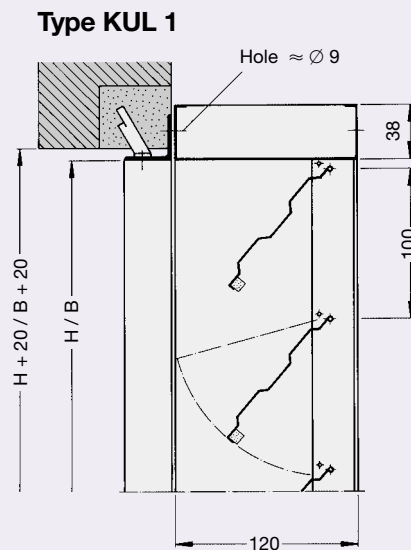


Installation dimensions



Type UL-1 shown

Opening size without masonry subframe $W + 15 / H + 15$



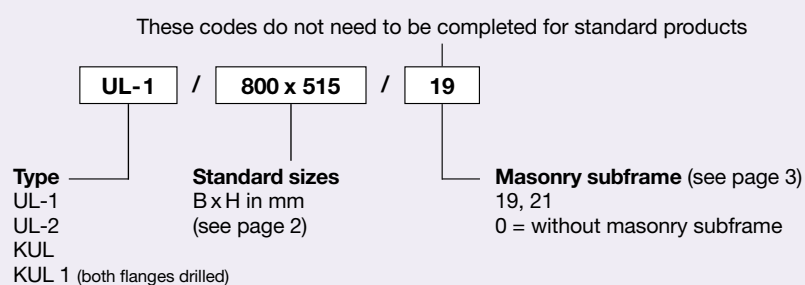
Opening size without masonry subframe W / H

Masonry subframe

Type	Reference code	Material
UL	19	Formed galvanised steel 35/35/3
KUL 1	21	Formed galvanised steel 35/35/3

Order Details

Order code



Specification text

Pressure relief dampers for use in intake and discharge openings in air conditioning systems, for protection against ingress of rain, leaves and birds into the air conditioning system; basically comprising the frame and edge pivoted blades opening and closing automatically.

Construction and materials: see page 2

Masonry subframe: see page 3

Make: TROX

Type: UL-1 · UL-2 · KUL · KUL 1

Order example

Make: TROX
Type: UL-1 / 800 x 515 / 19
Qty.: 2