

Combination of Weather Resistant Louvres and Multileaf Damper Sections



TROX[®] TECHNİK

TROX GmbH
Heinrich-Trox-Platz
D-47504 Neukirchen-Vluyn

Telephone +49/28 45/2 02-0
Telefax +49/28 45/2 02-2 65
e-mail trox@trox.de
www.troxtechnik.com

Contents · Description

Description	2
Construction	3
Standard sizes · Installation details	4
Order details	5

WG-JZ-B



WG-KUL-1



The combination of weather resistant louvres and multileaf or pressure relief dampers perform a dual role in intake and discharge openings in air conditioning systems. Firstly they give good protection against the direct ingress of rain, leaves and birds, and secondly they allow adjustment of flow rate through the opening or provide a means of shut off when the ventilation system is shut down.

Type WG-JZ-A · WG-JZ-B · AWG-JZ-A · AWG-JZ-B

- Comprising a weather resistant louvre type WG or AWG, with a masonry subframe (optional), and a multileaf damper type JZ-A or JZ-B
- Weather resistant louvre and multileaf damper are firmly connected
- Materials:
Weather resistant louvres type WG and multileaf dampers type JZ-A or JZ-B are of galvanised sheet steel, weather resistant louvres type AWG are of extruded aluminium sections

Attention!

The basic construction of combined weather louvre and damper does not have extended damper blade shafts retrofitting of an actuator is not possible. Configuration suitable for retrofitting of actuators can be manufactured on request.

Type WG-KUL-1 · WG-KUL-2 · AWG-KUL-1 · AWG-KUL-2

- Comprising a weather resistant louvre type WG or AWG, with a masonry subframe (optional), and a pressure-relief damper type KUL
- Weather resistant louvre and pressure-relief damper are firmly connected
- Materials:
Weather resistant louvres type WG and pressure-relief dampers type KUL are of galvanised sheet steel, weather resistant louvres type AWG are of extruded aluminium sections

For construction of individual components, see

leaflets nos.:

3/1/EN/.. (Multileaf Dampers)

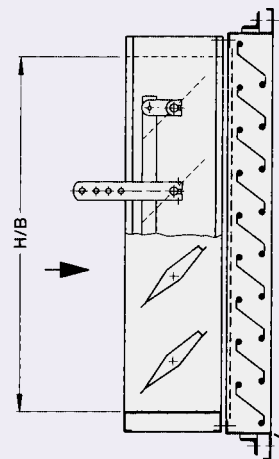
3/2/EN/.. (Weather Resistant Louvres)

3/3/EN/.. (Pressure-Relief Dampers)

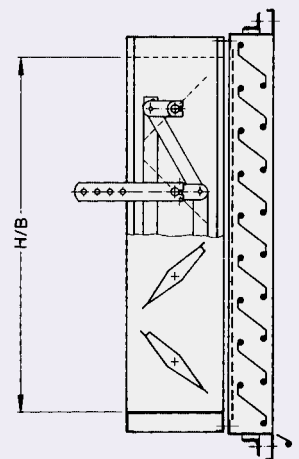
Type WG-JZ-A · WG-JZ-B · AWG-JZ-A · AWG-JZ-B



WG-JZ-A
AWG-JZ-A



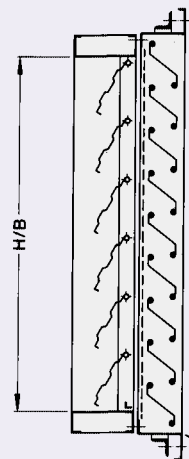
WG-JZ-B
AWG-JZ-B



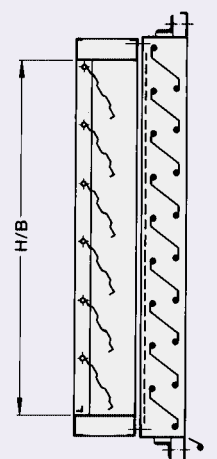
Type WG-KUL-1 · WG-KUL-2 · AWG-KUL-1 · AWG-KUL-2



WG-KUL-1
AWG-KUL-1



WG-KUL-2
AWG-KUL-2



Shown with drive on right hand side, viewed in direction of arrow

Standard Sizes · Installation Details

Standard sizes

Type **WG-JZ-A · WG-JZ-B · AWG-JZ-A · AWG-JZ-B**

Standard sizes	
B in mm	H in mm
400	345
600	510
800	675
1000	840
1200	1005
1400	1170
1600	1335
1800	1500
2000	1665
	1830
	1995

Any combinations of dimensions listed above can be supplied.
B- and H-intermediate dimensions available.

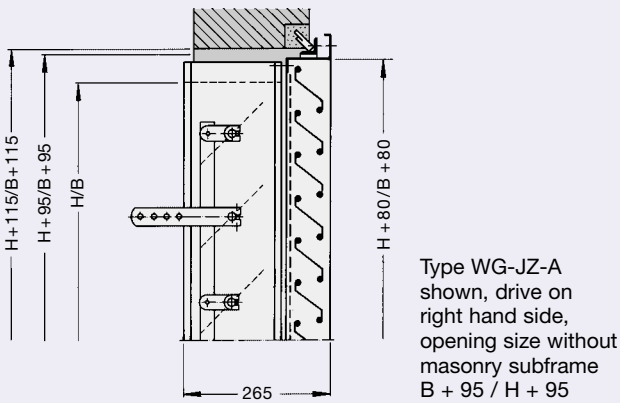
Type **WG-KUL-1 · WG-KUL-2 · AWG-KUL-1 · AWG-KUL-2**

Standard sizes	
B in mm	H in mm
400	345
600	510
800	675
1000	840
1200	1005
1400	1170
1600	1335
	1500
	1665

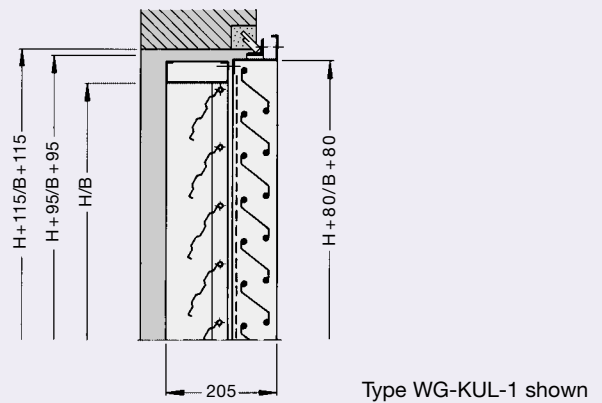
Any combinations of dimensions listed above can be supplied.
B- and H-intermediate dimensions available.

Installation dimensions

Type **WG-JZ-A · WG-JZ-B · AWG-JZ-A · AWG-JZ-B**

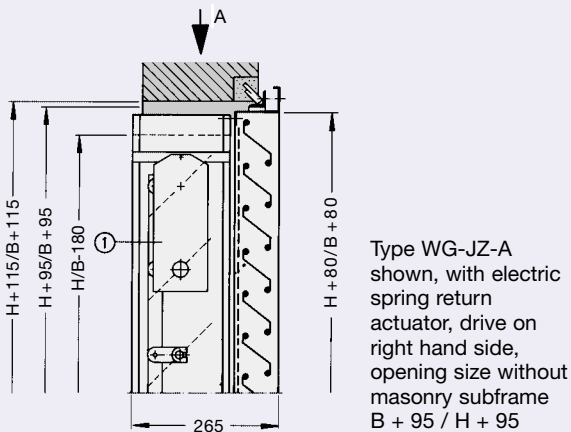


Type **WG-KUL-1 · WG-KUL-2 · AWG-KUL-1 · AWG-KUL-2**

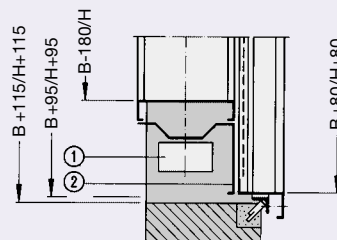


Type **WG-JZ-A · WG-JZ-B · AWG-JZ-A · AWG-JZ-B**

with accessories



View A



① Accessories: see leaflet no. 3/1/EN/.. (Multileaf Dampers), e.g. electric spring return actuator

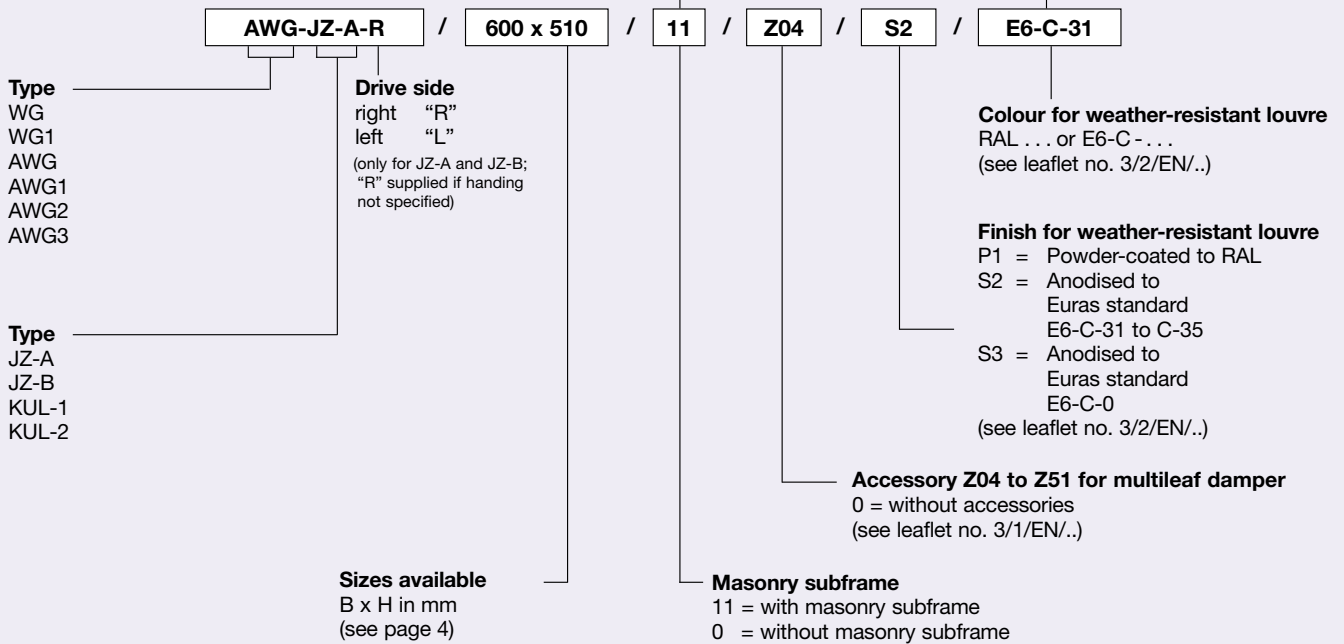
② Cover

Masonry subframe

Code	Material
11	Formed galvanized steel 35/35/3

Order code

These codes do not need to be completed for standard products



Specification text

Combined weather-resistant louvre and multileaf or pressure-relief damper for protection against direct ingress of rain, leaves and birds into the intake or discharge openings of air conditioning systems, and for flow rate control or shut off of openings when ventilation system is shut down.

Construction and materials:
see page 3

Masonry subframe:
see leaflet no. 3/2/EN/..

Accessories:
see leaflet no. 3/1/EN/..

Make: TROX

Type: see order code

Order example

Make: TROX
 Type: AWG-JZ-A-R / 600 x 510 / 11 / Z04 / S2 / E6-C-31
 Qty.: 5

