

Low Leakage Steel Access Doors

Type BS



TROX[®] TECHNİK

TROX GmbH
Heinrich-Trox-Platz
D-47504 Neukirchen-Vluyn

Telephone +49/28 45/2 02-0
Telefax +49/28 45/2 02-2 65
e-mail trox@trox.de
www.troxtechnik.com

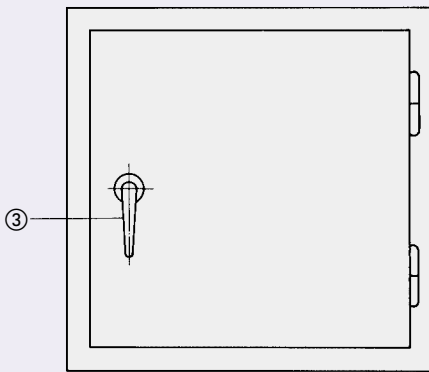
Construction · Standard Sizes · Installation Details

Low leakage steel access doors are designed for use in air conditioning systems, plant rooms, filter plenums, air handling units, etc.. If exposed to the weather the steel access doors must be protected with anti-corrosion paint.

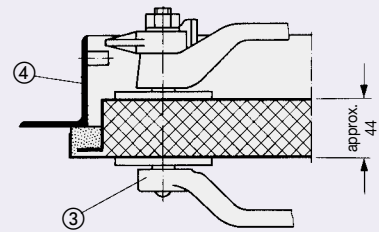
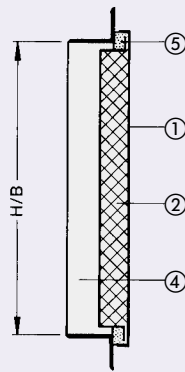
- Double skinned door panels of galvanised sheet steel with mineral wool insulation
- Installation frame with builders cleats welded in position, all in galvanised steel
- Double lever lock in die cast aluminium can be operated from either side
- Neoprene seal, temperature resistant up to 90 °C
- Suitable for pressure differentials up to 2000 Pa (pressure must push door on to frame)

Standard sizes			
B in mm	H in mm	No. builders cleats per	
		B dim.	H dim.
500	500	-	2
600	600	-	2

Type BS

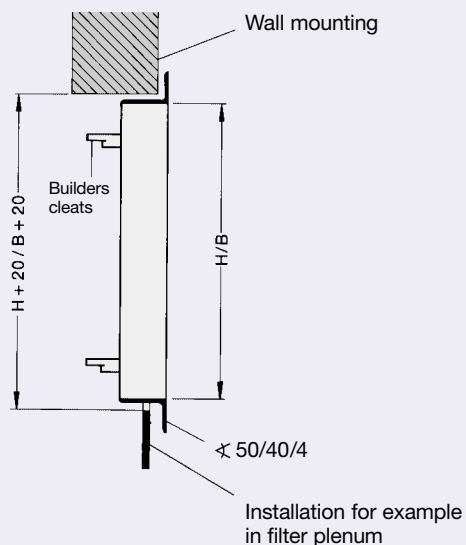
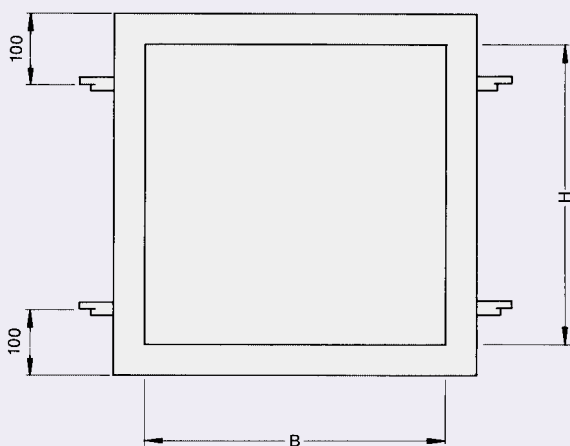


Right hand construction shown

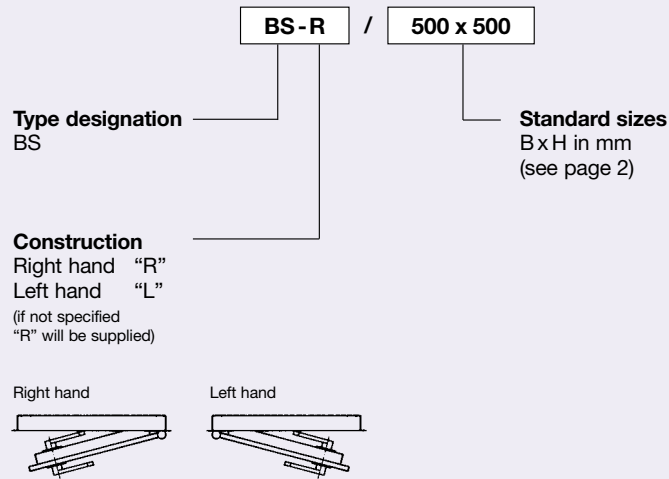


- ① Door panel
- ② Mineral wool insulation
- ③ Double lever lock
- ④ Installation frame
- ⑤ Seal

Installation details



Order code



Specification text

Low leakage steel access doors for use in air conditioning systems, plant rooms, filter plenums, air handling units, etc.

Construction and materials: see page 2

Make: TROX

Type: BS

Order example

Make: TROX

Type: BS-R / 500 x 500

Qty.: 5

