

# ENGINEERING

## WORKING EFFICIENTLY AND SAFELY



Whether it is in the area of sanitation, heating, and air-conditioning or a large system builder, you are an expert in building services and power engineering and contribute considerably to the energy efficiency of your building and the well-being of its tenants. In this very versatile area of activities, clever concepts that are easy and safe to install and operate are what count. TROX offers system solutions from a single source for new construction and refurbishment, for every building type and every building size.

## ENGINEERING TOOLS

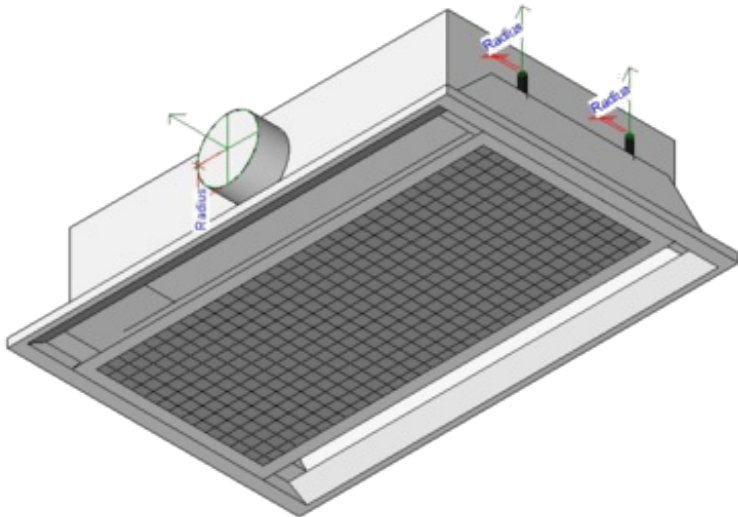


Making your job easier is what we do! Choosing the right HVAC system for your project is a seamless process with TROX. We provide expert engineering consultation from the outset of your project working closely with your local representative, an expert in the field of heating, ventilation and air conditioning with a specialty in selecting the most cost-effective, energy-efficient system for your application with occupant comfort as the guiding principal in system selection, whether chilled beams, displacement, underfloor air, or exceptional air distribution systems.

Providing the right tools is the beginning of a successful collaboration...

- [Chilled beam selection program](#)
- [BIM / Revit library](#)
- Specification text
- [Local sales representatives](#)
- [Engineering support](#)
- [TROX Academy](#)
- Technical brochures
- Installation manuals

## BIM AND REVIT FILES



## TROX USA BIM/REVIT CATALOG

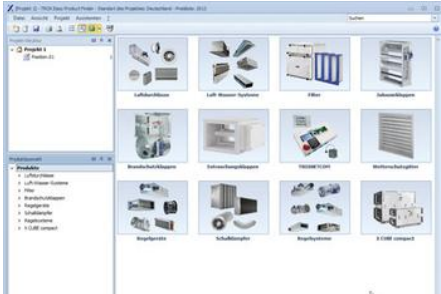
The TROX USA Revit library is evolving with fully integrated BIM objects. TROX BIM objects now contain performance and selection information allowing engineers to make selections and estimate energy usage of a building.

The new TROX USA BIM/Revit Catalog is a single list organized by product group. Each product group or series has a single ZIP file containing BIM/Revit models for all sizes and options available for that product. The new BIM objects are available in Revit MEP 2011 through 2014 as indicated below. Files are available as RFA- Revit Object, RVT- Revit System, DWG- AutoCAD, Sketch-up, Others | DGN- Bentley, DWF- AutoDesk and DFX. Files identified as Revit Files were created using Revit MEP 2010.

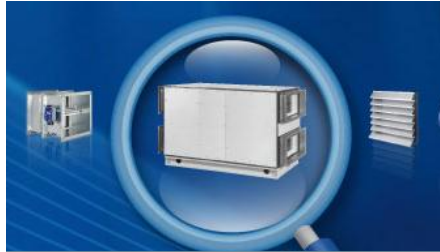
To download to your desktop, simply click on the product name.

The Catalog is updated regularly — check back often for new BIM/Revit objects as we strive to serve you better with expanded products and service.

TROX Revit Support Contact: [trox@troxusa.com](mailto:trox@troxusa.com) or call 770-569-1433.



FAST. RELIABLE. INNOVATIVE.  
TROX EASY PRODUCT FINDER



INSTALLATION EASY AND  
INSTALLATION AND OPERATING  
INSTRUCTIONS



THE TROX RANGE OF SERVICES  
TROX ACADEMY

## SERVICES



### SALES

You find your contact  
here



### TROX LIFE

The magazine from  
TROX



### INSTALLATION EXAMPLES

That's how good  
climate looks like

## TROX USA, Inc.

---



4305 Settingdown Circle  
Cumming  
Georgia 30028  
Tel: +1-770-569-1433  
Fax: +1-770-569-1435

## Online-Services

---

USA Representatives

---

Canada Representatives

---

## Service-Hotlines

---

Sales USA and  
technical consulting  
+1-770-569-1433